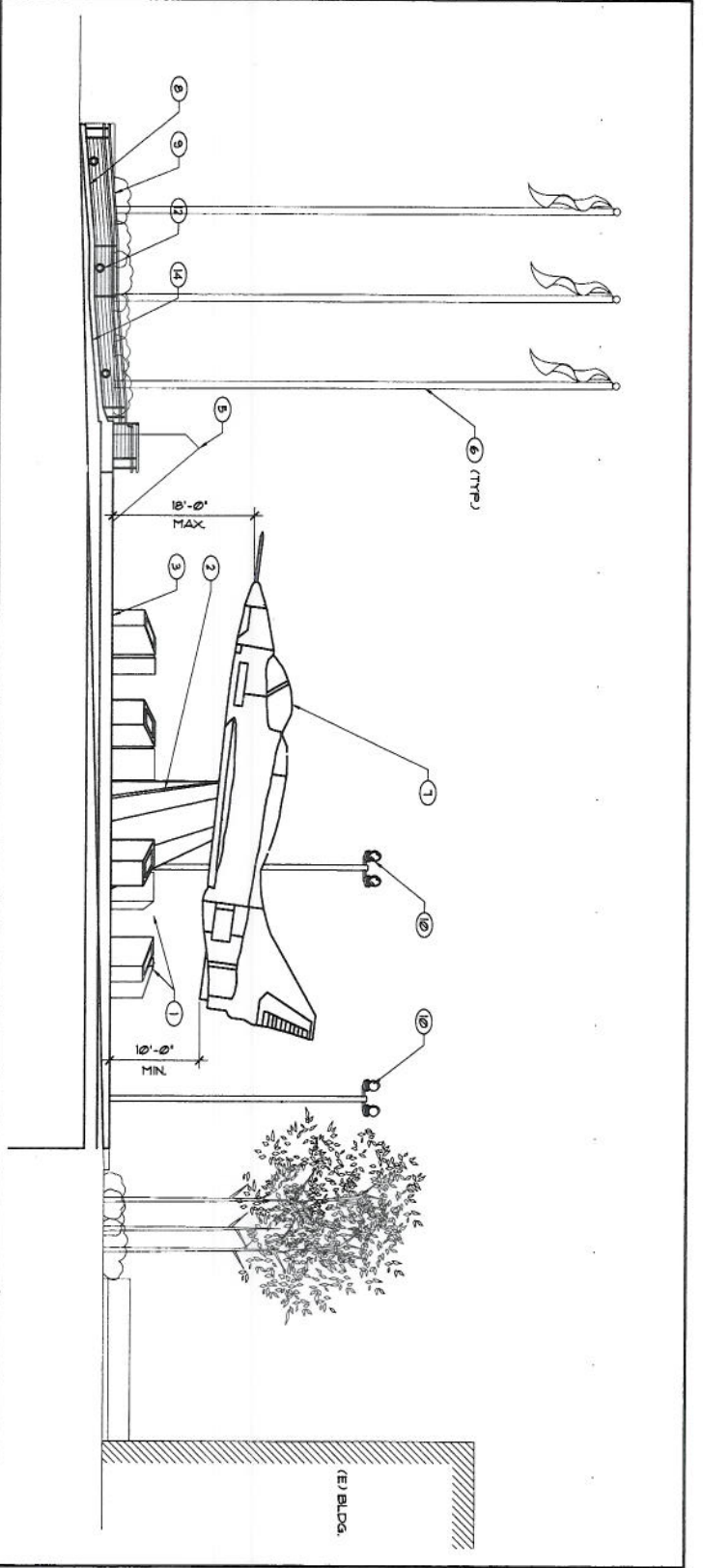


(E) SOUTH ELEVATION

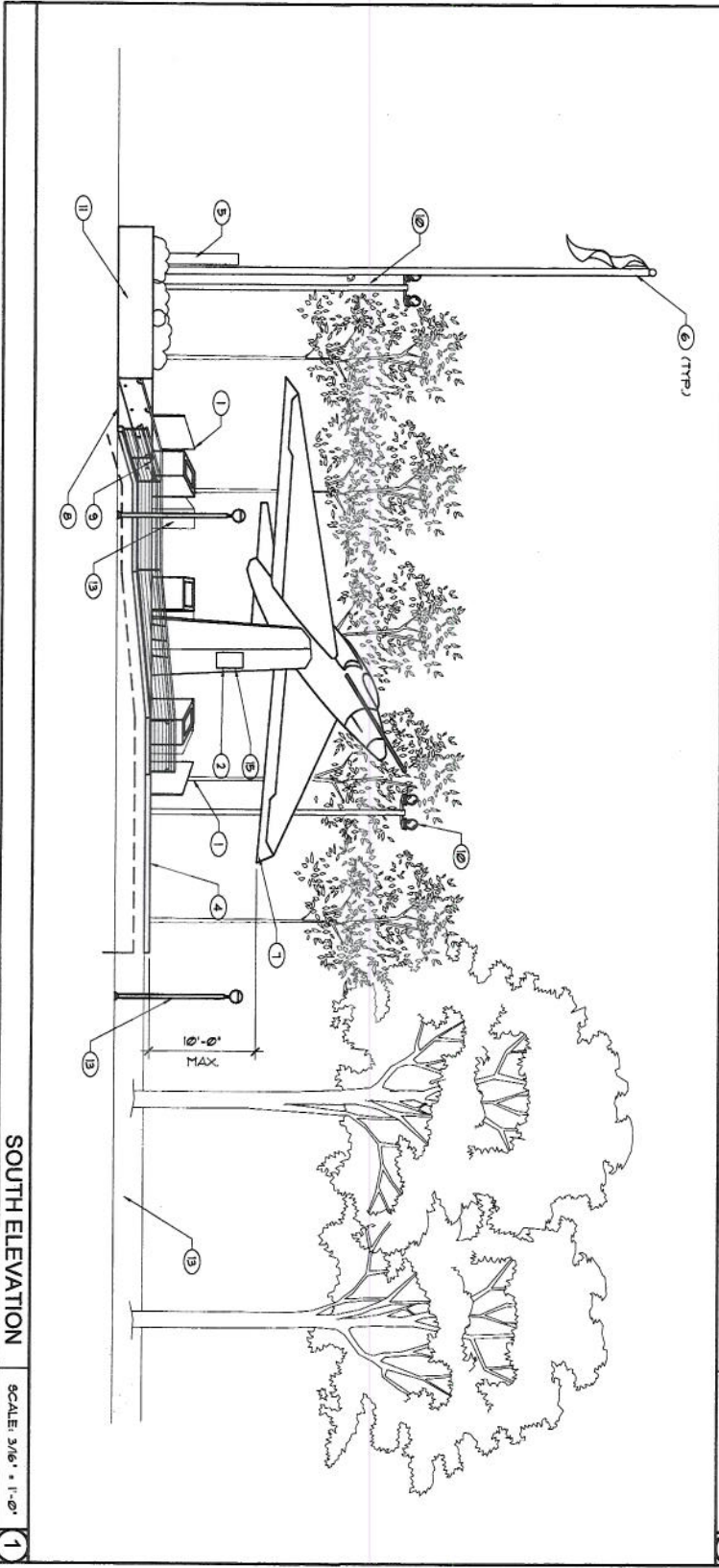
EAST ELEVATION



EAST ELEVATION

SCALE: 3/8" = 1'-0"

2



SOUTH ELEVATION

SCALE: 3/8" = 1'-0"

1